

» Clear Paper Jams

When a paper jam occurs, the printer stops and the operator panel's **Paper Jam** and **Continue** lights display.

To clear a paper jam from a 1700 or 1700n laser printer:

1. Press and release **Continue** twice quickly to display the specific secondary error paper jam light sequence.
2. If you are feeding paper from a tray, remove the tray, and then remove any jams (**Figure 1**).

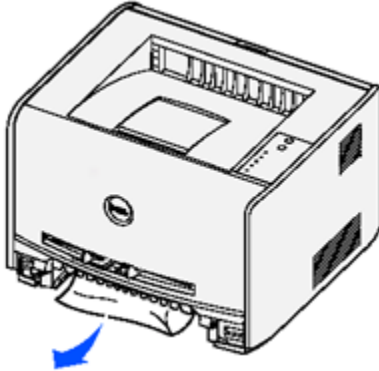


Figure 1: Remove the Paper Tray

3. Open the front cover and remove the toner cartridge assembly (**Figure 2**).

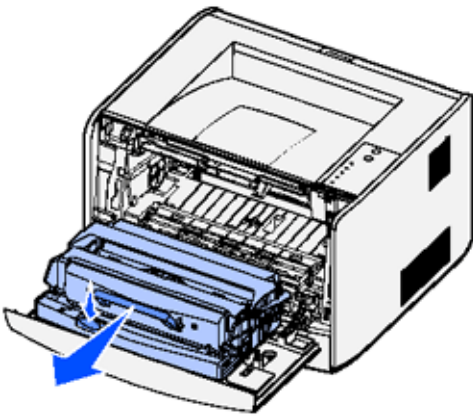


Figure 2: Remove the Toner Cartridge

Notice:

Do not leave the toner cartridge assembly exposed to direct light for an extended period of time. Extended light exposure can cause print quality problems.

4. Remove any jams in the area behind the toner cartridge assembly (**Figure 3**).

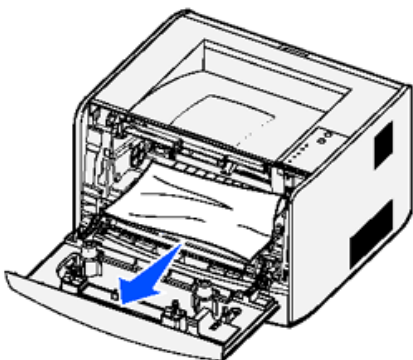


Figure 3: Remove Jams Behind the Toner Cartridge

5. Lift the flap at the front of the printer and remove any jams beneath the flap (**Figure 4**).

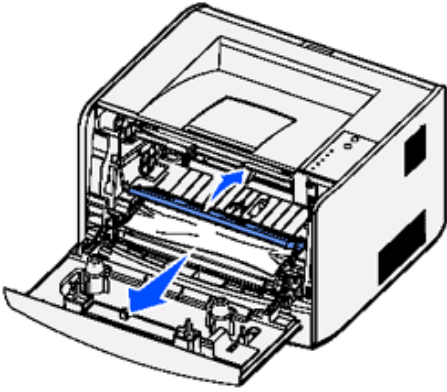


Figure 4: Remove Any Jams Beneath the Front Printer Flap

6. Open the rear exit and remove any jams (**Figure 5**).

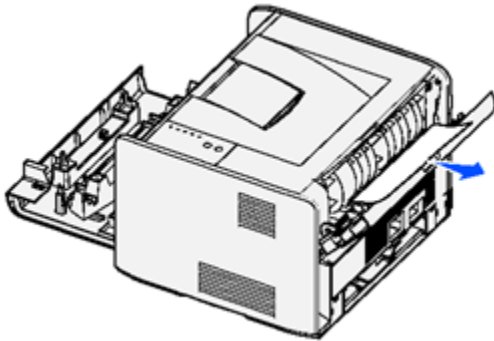


Figure 5: Remove Jams From the Rear of the Printer

7. After you have cleared the jams, reinstall the toner cartridge assembly, make sure all printer covers and trays are closed, and then press **Continue** to resume printing.

The printer automatically reprints the page or pages that caused the paper jam.

[Back to Top](#)

» Prevent Paper Jams From Occurring When Using the Dell™ 1700 or 1700n Laser Printer

To prevent paper jams from occurring when using your Dell 1700 or 1700n Laser Printer, it is recommended that you consider the following:

1. Verify that the edges of your paper are not folded or curled.
2. Prepare a stack of paper for loading by flexing or fanning it back and forth (**Figure 1**).

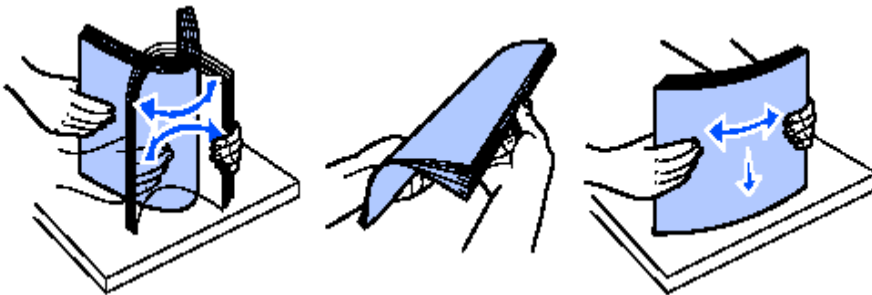


Figure 1: Prepare paper for use

3. Load the paper in the tray with the print side facing down.
4. Slide the two side guides and the back guide until they fit snugly against the stack of paper (**Figure 2**).

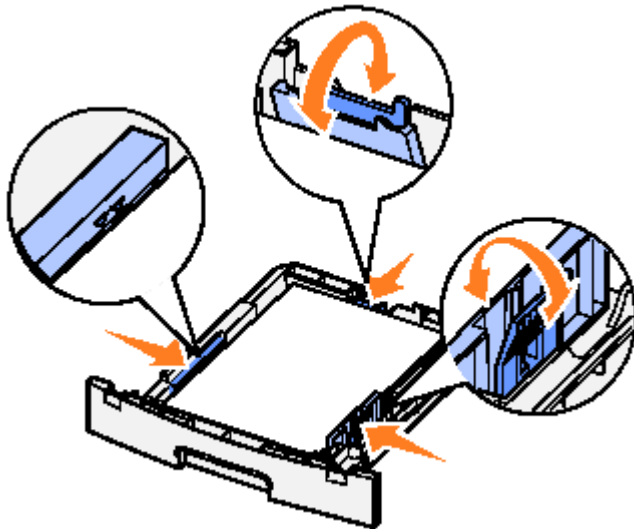


Figure 2: Adjust the side and back paper guides

5. To prevent damage to either your printer or to transparency media, it is recommended that you use transparencies designed for laser printers.

Recommended Amounts of Paper
Type Of Paper
of Sheets

Recommended Amounts of Paper	
Type Of Paper	# of Sheets
Plain Inkjet Paper	Tray 1: 250 (20lb paper)
Transparencies, Envelopes, or Cards	Tray 1: 10 Sheets, Envelopes or Cards
Labels	Tray 1: 10 sheets

6. When feeding paper manually into the printer or when loading the paper tray, do not force the paper into the printer or into the paper tray.
7. Verify that the paper guide is not causing the paper to bow.
8. Verify that the printer is sitting on a flat, level surface.
9. Verify that the printer settings are correct for the type of document you want to print.
10. Verify that the paper is resting against the right side of the paper tray.